

Three Pieces Ball Valves 1000 WOG

Size 1/4" - 4" (DN 8 - 100) Stainless Steel



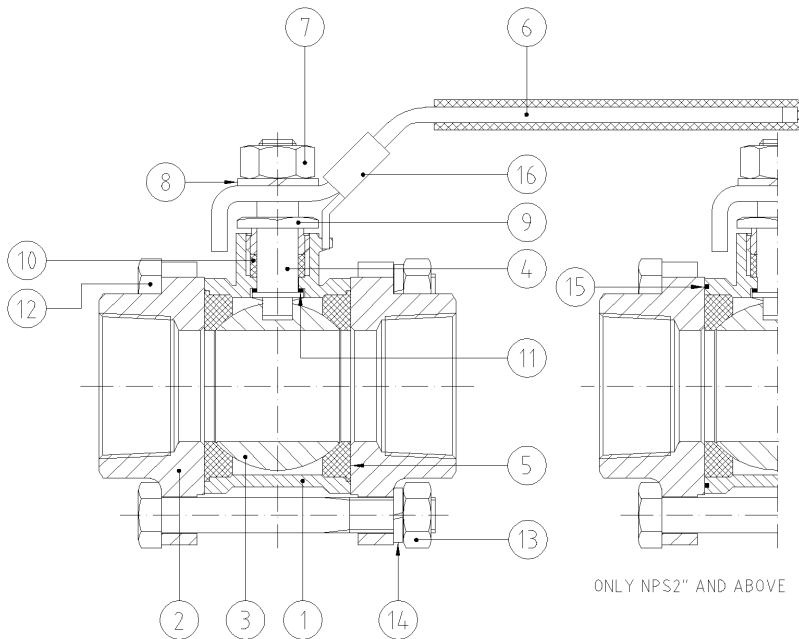
Fig. 141
FULL BORE
Threaded according:
ASME B1.20.1 (NPT)

CE

Three Pieces Ball Valves 1000 WOG

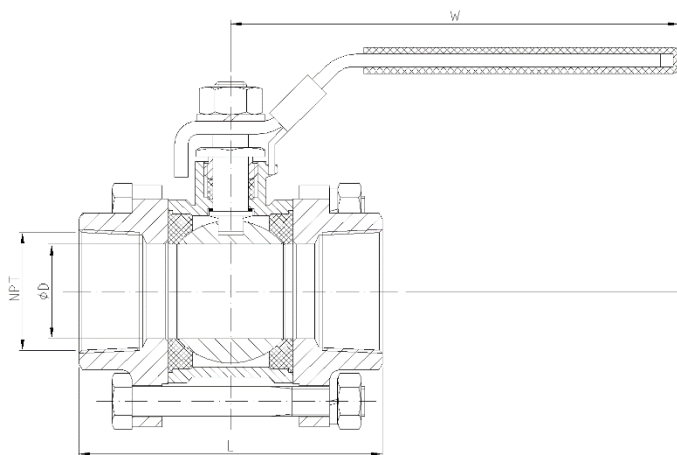
Parts and materials, Dimensions

Parts and materials



Ite	Description	Material
1	Body	AISI 316
2	Body connector	AISI 316
3	Ball	AISI 316
4	Stem	AISI 316
5	Seat ring	PTFE
6	Wrench	AISI 304
7	Wrench Nut	AISI 304
8	Wrench Washer	AISI 304
9	Gland	AISI 304
10	Gland packing	PTFE
11	Stem thrust seal	PTFE
12	Bolt	AISI 304
13	Nut	AISI 304
14	Washer	AISI 304
15	Gasket	PTFE
16	Lock Device	AISI 304

Dimensions



SIZE	NPS	ØD	L	W	H	WEIGHT
¼" (DN 8)	¼"	11	50	94	46	0,31
⅜" (DN 10)	⅜"	12,5	50	94	46	0,35
½" (DN 15)	½"	15	60	104	50	0,41
¾" (DN 20)	¾"	20	70	113	60	0,7
1" (DN 25)	1"	25	80	128	65	1,2
1¼" (DN 32)	1¼"	32	93	156	79	2
1½" (DN 40)	1½"	38	103	156	83	2,5
2" (DN 50)	2"	50	125	194	99	3,7
2½" (DN 65)	2½"	64	158	246	128	7,4
3" (DN 80)	3"	76	179	246	133	12,8
4" (DN 100)	4"	94	223	317	175	23

*) Dimensions in mm and weight in kg.

Note:

Dimensions not subject to International Standards can vary in $\pm 10\%$. ICP reserves the right to change those dimensions without notice, due to they do not affect integrity and performance of the valves.



Three Pieces Ball Valves

1000 WOG

Torque, Kv, P&T Rating

Torque Values in Nm

VALVE SIZE	AT DIFFERENTIAL PRESSURE	
	63 bar	25 bar
¼" (DN 8)	5,6	73,2
⅜" (DN 10)	5,6	128,8
½" (DN 15)	9	165,4
¾" (DN 20)	11,3	
1" (DN 25)	14,7	
1¼" (DN 32)	19,2	
1½" (DN 40)	24,9	
2" (DN 50)	45,2	

Kv Values in m³/h

VALVE SIZE	Kv	VALVE SIZE	Kv
¼" (DN 8)	6,6	1½" (DN 40)	80,0
⅜" (DN 10)	6,6	2" (DN 50)	150,0
½" (DN 15)	11,2	2½" (DN 65)	265,0
¾" (DN 20)	21,0	3" (DN 80)	415,0
1" (DN 25)	34,0	4" (DN 100)	780,0
1¼" (DN 32)	57,0		

Pressure-Temperature

P Bar

